

Sac

SAC Hardware Ltd

Unit 28 North Luton Ind. Est. Sedgwick Rd,

Luton, Bedfordshire, LU4 9DT

SIGNATURE HANDLE TECHNICAL SPECIFICATION

Product Material Specifications:

- Metal Parts – Zinc Alloy and Aluminium Alloy
- Plastic Parts – ABS-757 Resin

Testing:

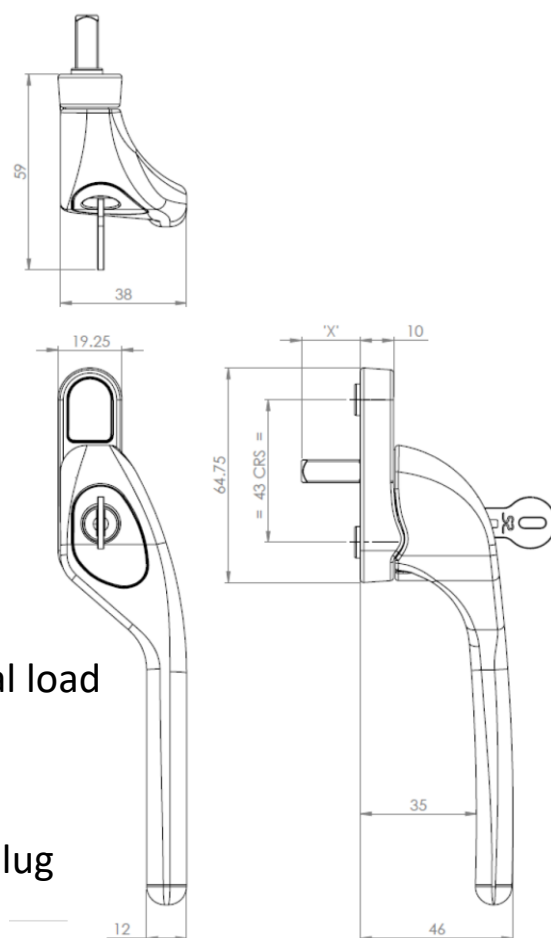
- Corrosion resistance to BS EN 1670 Grade 5
- Cycle Tested to 10,000 cycles under operational load

Colours: White, Black, Gold, Chrome & Titanium

Locking Options: Key Locking / Non-Locking Egress Plug

Box Quantity: 25 per box (Handed)

Spindle Length: 9, 15, 25, 33, 40, 45 & 55mm



Right Hand Variant Shown

